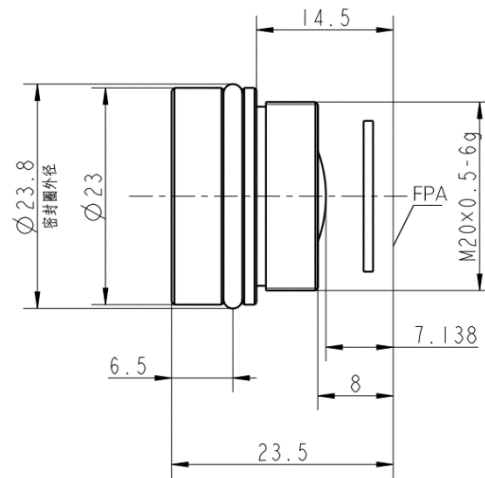


# CH-L-13-1,0-A 13mm f/1.0 Optical Athermalized Infrared Lens



HFOV	160x120	320x240	336x256	384x288	640x480	640x512	1024x768	1280x1024
25 $\mu$ m	17.5°	34.2°	35.8°	40.5°				
17 $\mu$ m	11.9°	23.6°	24.8°	28.2°	45.4°	45.4°		
12 $\mu$ m	8.4°	16.8°	17.6°	20.1°	32.9°	32.9°		

## Optical

Focal Length	13mm
F/#	1.0
Detector	640x512 17 $\mu$ m (640 12 $\mu$ m compatible)
Wave Length	8-14 $\mu$ m
Focus Range	1m-Infinity

## Mechanical

Interface	Thread
Focus Mechanism	Fixed Athermalized
Dimensions (mm)	$\varnothing$ 23.8x16.362
Weight	18.5g

## Environmental

Sealing	IP 67
Operating Temperature	-40°C to +80°C
External Coating	AR