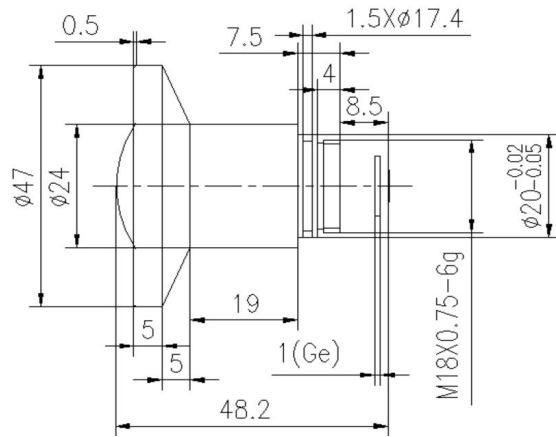
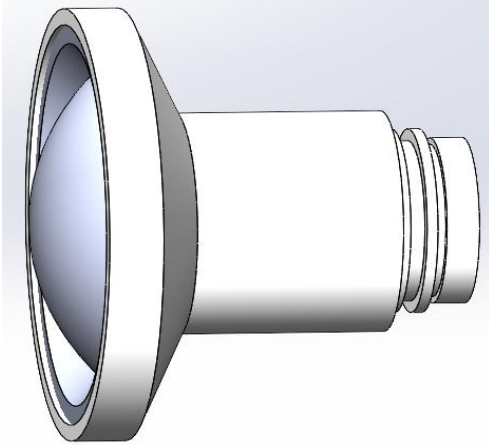


# NA612-L-4,5-1,0-A



HFOV 640×512

12 $\mu$  86°

## Property

## Value

### Optical

Focal Length (mm)

4.5

F/#

1.0

Average Transmission(8~12 $\mu$ m)

94%

Detector

uncooled

Back Focal Length (mm)

8.5

### Mechanical

Focus Mechanism

Athermalized

Focus Range

0.5m~infinity

Weight (gr)

58

Max. Dimensions (Diameter×Length)

47×48.2mm

### Environmental

Operating Temperature (°C)

-30 to +50

Storage Temperature (°C)

-40 to +60

Sealing (Front lens only)

IP67

### Configurations

Coating

AR