

**Ultra Compact Telecentric**

# VS-MTC

3.45  $\mu\text{m}$

SERIES

Industry's Smallest and Lightest <sup>\*1</sup>  
S-mount Telecentric Lens

\*1: An in-company investigation (Apr. 2019)



1.6 Mega Pixel, 1/2.9"  
Opt. Mag.: 0.69x / 1.0x / 2.0x  
WD: 15mm (O/I < 55mm)



**VS TECHNOLOGY**  
MACHINE VISION OPTICS

## Industry's Smallest and Lightest <sup>\*1</sup> S-mount Telecentric Lens

\*1: An in-company investigation (Apr. 2019)

### Features

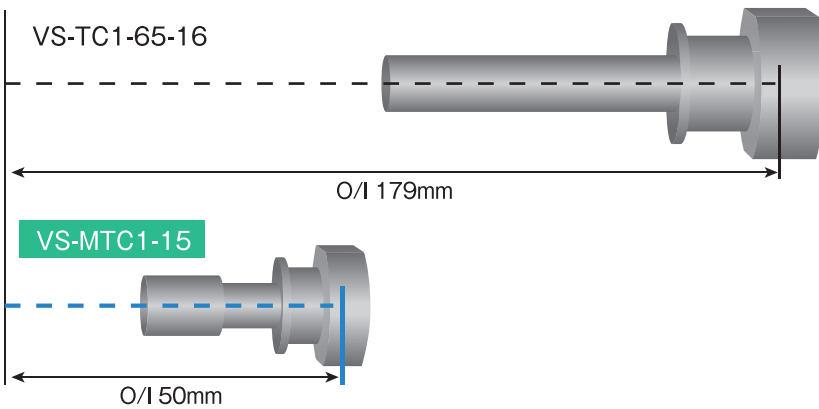
- Ultra compact and light weight 10g (1.0x) Telecentric lens.
- 3 models 0.69x/1.0x/2.0x
- 3.45 $\mu$ m Resolution
- Optional lock ring is available



Model No.	Opt. Mag.	Coaxial	WD	O/I	Dimension	Max Sensor
VS-MTC069-15	0.69x	-	15mm	55mm	$\phi$ 15 x L=35mm	1/2.9"
VS-MTC1-15	1.0x	-	15mm	50mm	$\phi$ 14 x L=30mm	1/2.9"
VS-MTC2-15	2.0x	-	15mm	55mm	$\phi$ 14 x L=35mm	1/2.9"

### Compact Design

Short O/I design in combination with a compact camera enables to install a vision system into limited spaces!



### Embedded Vision

