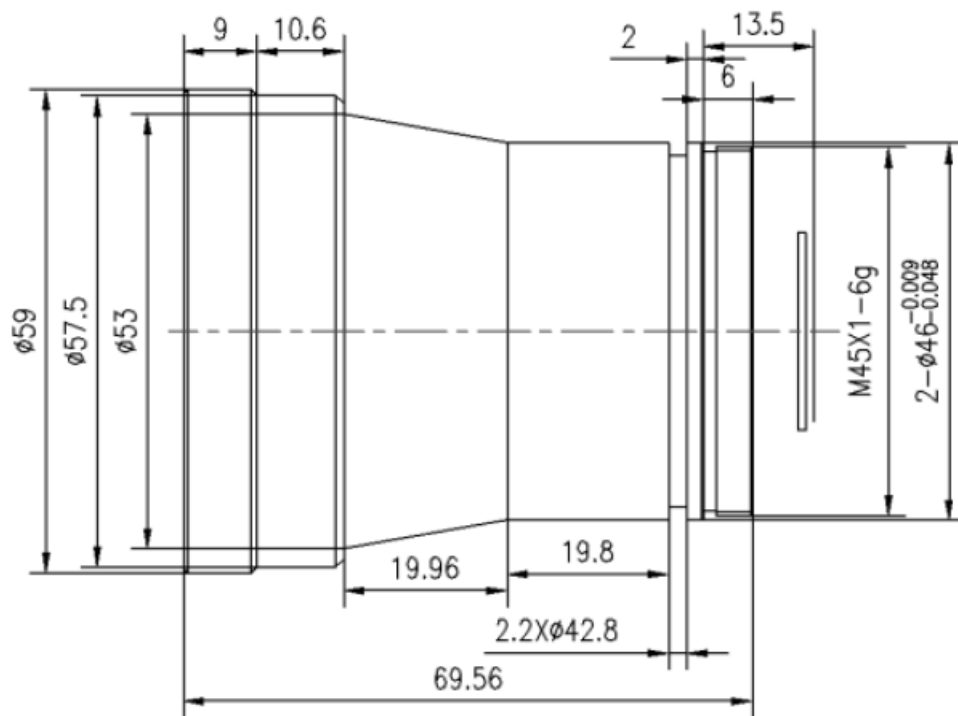


CK-L-50-1,0-A 50mm f/1.0 Optical Athermalized Infrared



HFOV	160x120	320x240	336x256	384x288	640x480	640x512	1024x768	1280x1024
25µm	4.6 °	9.1 °	9.6 °	11.0 °				
17µm	3.1 °	6.2 °	6.5 °	7.5 °	12.4 °	12.4 °		
12µm	2.2 °	4.4 °	4.6 °	5.3 °	8.8 °	8.8 °	14.0 °	17.5 °

Optical

Focal Length	50mm
F/#	1.0
Wavelength	8-12µm
Format	Ø19.7

Mechanical

Interface	Thread,M45X1
Focus Mechanism	Fixed Athermalized
Dimensions (mm)	Ø59x69.56
Weight	<188g

Environmental

Sealing	IP 67
Operating Temperature	-40°C to +60°C
Storage Temperature	-50°C to +85°C
External Coating	DLC