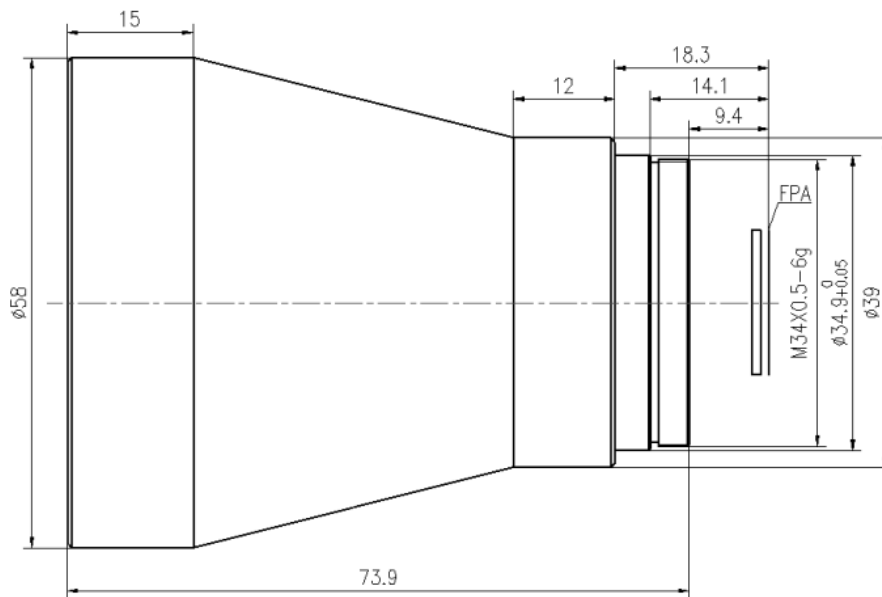


CX-L-60-1,2-A 60mm f/1.2 Athermalized Infrared Lens



HFOV	160x120	320x240	336x256	384x288	640x480	640x512
25 μ m	3.8 °	7.6 °	8.0 °	9.1 °		
17 μ m	2.6 °	5.2 °	5.5 °	6.2 °	10.4 °	10.4 °
12 μ m	1.8 °	3.7 °	3.8 °	4.4 °	7.3 °	7.3 °

Optical

Focal Length	60mm
F/#	1.2
Wavelength	8-12 μ m
Format	Ø14

Mechanical

Interface	Thread
Focus Mechanism	Fixed Athermalized
Dimensions (mm)	Ø58x 73.9
Weight	<180g

Environmental

Sealing	IP 67
Operating Temperature	-40°C to +80°C
Storage Temperature	-45°C to +85°C
External Coating	DLC