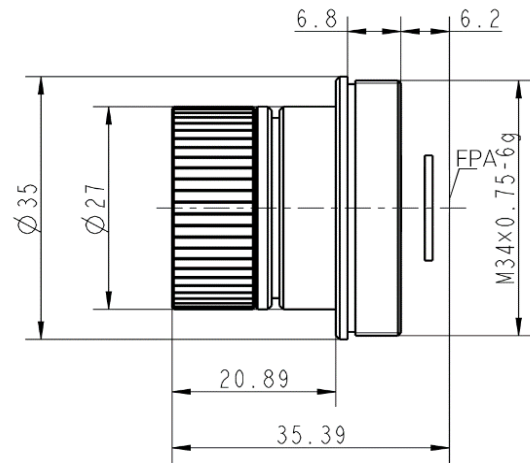


# CHL-6,7-1,0-A 6.7mm f/1.0 Optical Athermalized Infrared Lens



HFOV	160x120	320x240	336x256	384x288	640x480	640x512	1024x768	1280x1024
25µm	33.2 °							
17µm	22.9 °	44.2 °	46.2 °	51.9 °				
12µm	16.3 °	32.0 °	33.5 °	38.0 °				

## Optical

Focal Length	6.7mm
F/#	1.0
Detector	384x288, 17µm
Wave Length	8-14µm

## Mechanical

Interface	Thread
Focus Mechanism	Fixed Athermalized
Dimensions (mm)	Ø35x 29.19
Weight	< 50g

## Environmental

Sealing	IP 67
Operating Temperature	-40°C to +60°C
External Coating	AR