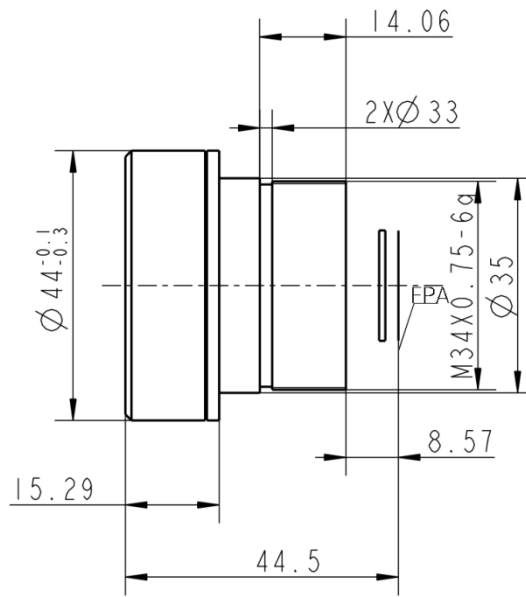


CZ-L-35-1,0-A 35mm f/1.0 Optical Athermalized Infrared Lens



HFOV	160x120	320x240	336x256	384x288	640x480	640x512	1024x768	1280x1024
25µm	6.5 °	13.0 °	13.7 °	15.6 °				
17µm	4.5 °	8.9 °	9.3 °	10.7 °	17.7 °	17.7 °		
12µm	3.1 °	6.3 °	6.6 °	7.5 °	12.5 °	12.5 °		

Optical

Focal Length

35mm

F/#

1.0

Wavelength

8-12µm

Mechanical

Interface

Thread

Focus Mechanism

Fixed Athermalized

Dimensions (mm)

Ø44x35.93

Weight

90g

Environmental

Sealing

IP 67

Operating Temperature

-40°C to +80°C

External Coating

AR