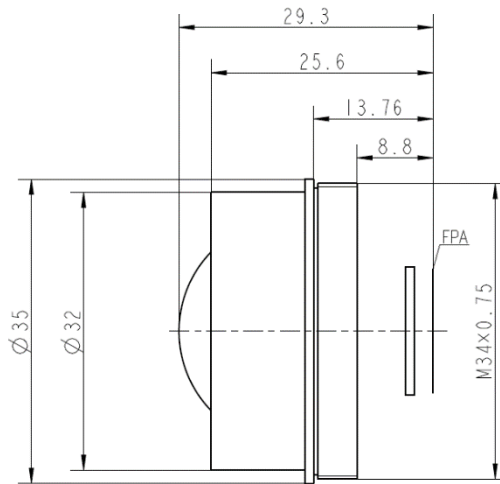


# CH-L-20-1,0-A 20mm f/1.0 Optical Athermalized Infrared Lens



HFOV	160x120	320x240	336x256	384x288	640x480	640x512	1024x768	1280x1024
25μm	11.4°	22.6°	23.7°	27.0°				
17μm	7.8°	15.5°	16.3°	18.5°	30.4°	30.4°		
12μm	5.5°	11.0°	11.5°	13.1°	21.7°	21.7°		

## Optical

Focal Length	20mm
F/#	1.0
Wavelength	8-12μm
Average Transmittance	≥90%

## Mechanical

Interface	Thread(Optional M22x0.75 or M34x0.75)
Focus Mechanism	Fixed Athermalized
Dimensions (mm)	Ø32x20.5
Weight	≤42g

## Environmental

Sealing	IP 67
Operating Temperature	-40°C to +60°C
External Coating	AR