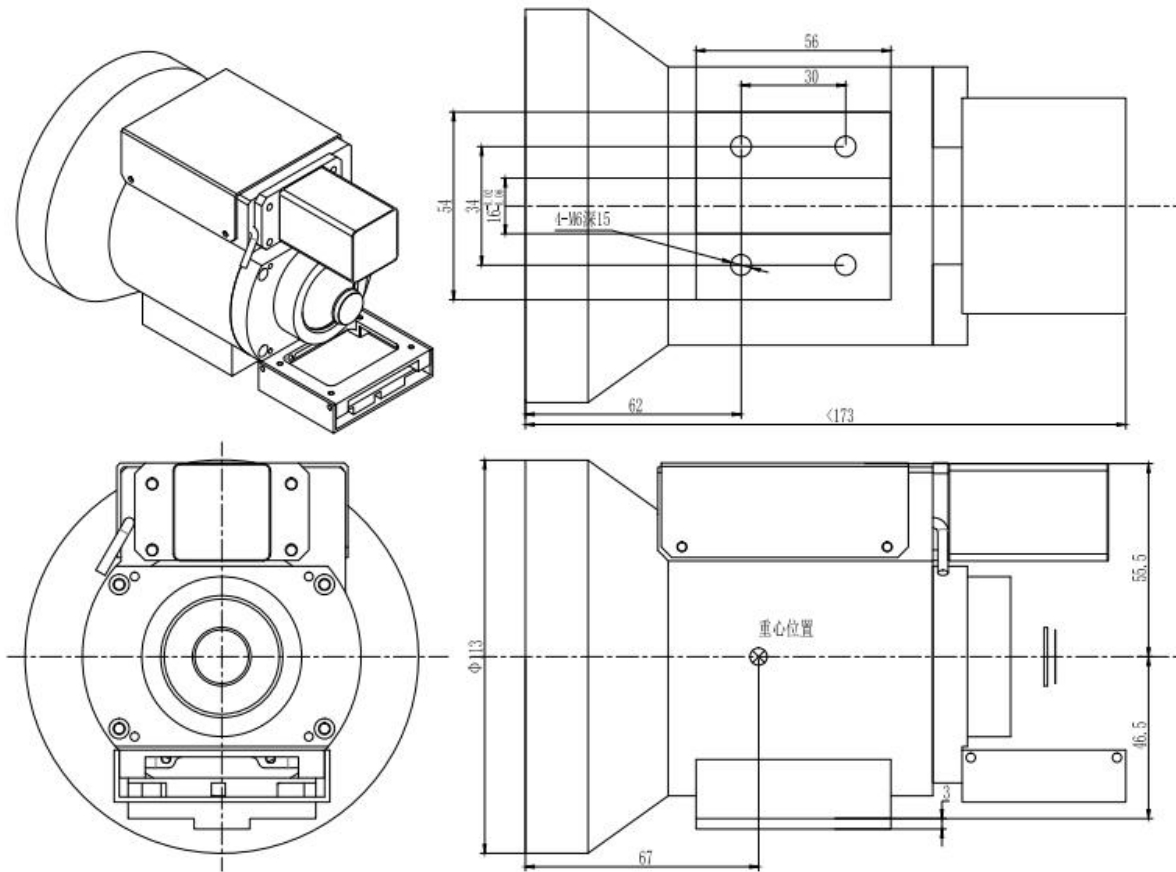


NB-L-34/102-1/1,05-E



(Optical)	
(Focal length)	34/102mm
F/#	1/1.05
(work wavelength)	8~12μm
(Detector)	1024×768/12μm
(FOV)	20.5°×15.4°/6.9°×5.2°
(Average Transmission)	≥90% (AR)
(Distortion)	-1%/0.35%
(Front Coating)	AR
(Mechanical)	
(Focus Mechanism)	20V (Motorized)
(Focus Range)	8m~∞
(FOV Mechanism)	20V (Motorized)
(FOV Switch Time)	≤1s

(Weight)	≤2200g
(Dimensions)	144mm×137mm×198.3mm
(Environmental)	
(Operating Temperature)	-40°C ~ +60°C
(Storage Temperature)	-45°C ~ +65°C
(seal)	IP54
(Shock of Optical orientation)	75G/11ms