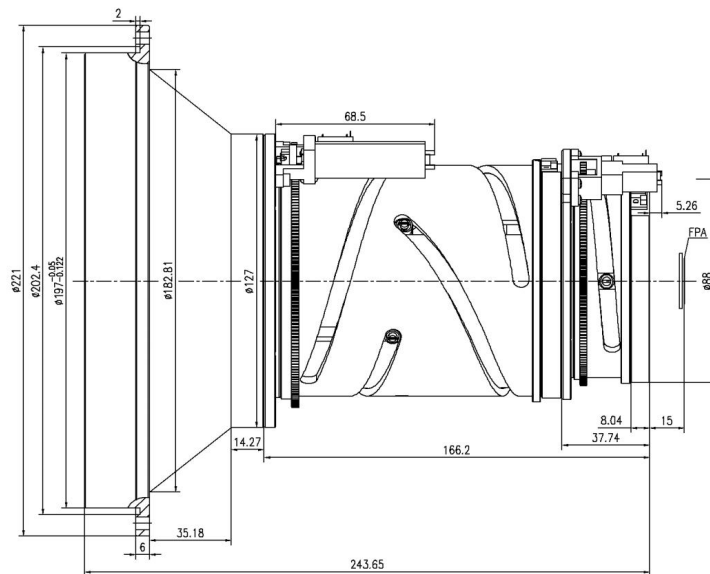


# CH-L-30180-0,85-1,3-E 30-180mm f/0.85-1.3 Continuous Zoom Infrared HD Lens



HFOV	160x120	320x240	336x256	384x288	640x480	640x512	1024x768	1280x1024
25μm	1.3°-7.6°	2.5°-15.2°	2.7°-15.9°	3.1°-18.2°				
17μm	0.9°-5.2°	1.7°-10.4°	1.8°-10.9°	2.1°-12.4°	3.5°-20.6°	3.5°-20.6°	5.5°-32.4°	
12μm	0.6°-3.7°	1.2°-7.3°	1.3°-7.7°	1.5°-8.8°	2.4°-14.6°	2.4°-14.6°	3.9°-23.1°	4.9°-28.7°

## Optical

Focal Length(mm)	30-180
F/#	0.85-1.3
Average Transmission	≥83%
Wavelength	8-12μm
Format	Ø20
Focus Range	5m- Infinity

## Mechanical

Interface	Flange
Focus Mechanism	Motorized
Dimensions (mm)	Ø197x243.65(Front flange Ø221)
Weight	<3.6kg

## Electrical & Communications

Power Input	DC 6-12V
Communications	NA

## Environmental

Operating Temperature	-40°C to +85°C
Storage Temperature	-60°C to +85°C
Front Element Sealing	IP67
External Coating	DLC