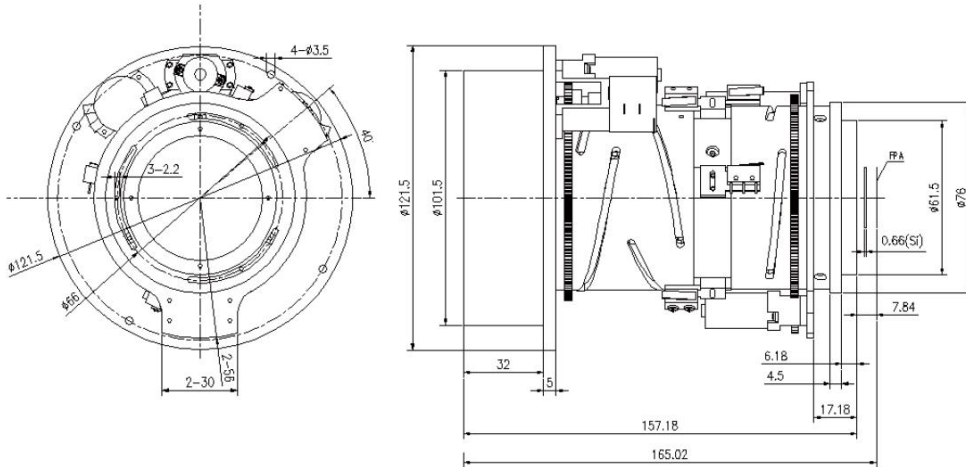


## CH-L-25~75-1,0-E



HFOV	160x120	320x240	336x256	384x288	640x480	640x512	1024x768	1280x1024
25μm	3.1°-9.1°	6.1°-18.2°	6.4°-19.1°	7.3°-21.7°				
17μm	2.1°-6.2°	4.2°-12.4°	4.4°-13°	5°-14.9°	8.3°-24.6°	8.3°-24.6°		
12μm	1.5°-4.4°	2.9°-8.8°	3.1°-9.2°	3.5°-10.5°	5.9°-17.5°	5.9°-17.5°		

### Optical

Focal Length(mm)	25-75 3X continuous zoom
F/#	0.9-1.0
Average Transmission	≥80%
Wavelength	8-12μm
Focus Range	6m-Infinity
Format	Ø14

### Mechanical

Focus Mechanism	Motorized
Dimensions (mm)	Ø101.5x157.18(Front flange Ø121.5)
Zoom Position Feedback	10K Potentiometer
Focus Position Feedback	10K Potentiometer
Weight	1.4kg

### Electrical & Communications

Power Input	DC 6-12V
Communications	NA

### Environmental

Operating Temperature	-30°C to +80°C
Storage Temperature	-50°C to +85°C
Front Element Sealing	IP67
External Coating	DLC