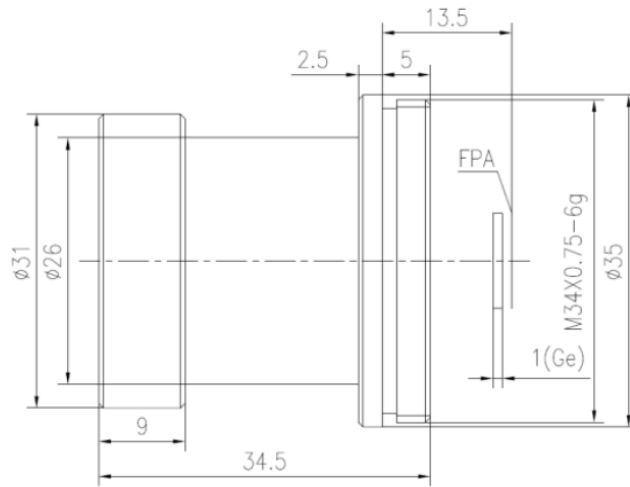


CHL-5,7-1,0-A 5.7mm f/1.0 Athermalized Lens



HFOV	160x120	320x240	336x256	384x288	640x480	640x512	1024x768	1280x1024
25µm	38.7 °							
17µm	26.8 °	51.0 °	53.2 °	59.6 °				
12µm	19.1 °	37.2 °	39.0 °	44.0 °				

Optical

Focal Length
F/#
Format

5.7mm
1.0
Ø8.2

Mechanical

Interface
Focus Mechanism
Dimensions (mm)
Weight

Thread
Fixed Athermalized
Ø31 x 34.5
<55g

Environmental

Operating Temperature
Sealing
External Coating

-40°C to +80°C
IP67
AR