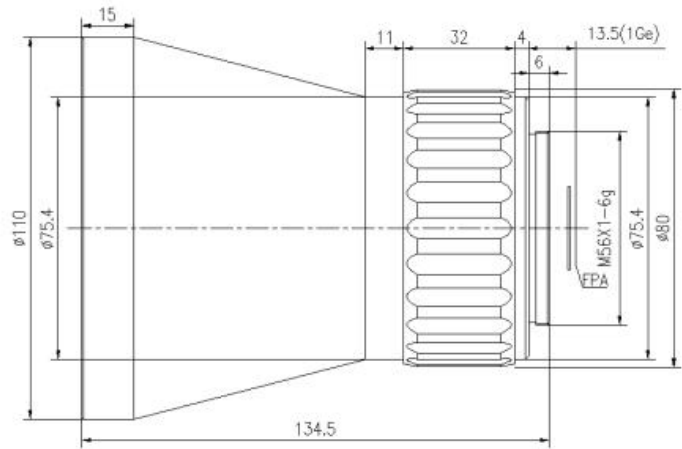


## CZ-L-100-1,0-M 100mm f/1.0 Manual Infrared Lens



HFOV	160x120	320x240	336x256	384x288	640x480	640x512	1024x768	1280x1024
25 $\mu$ m	2.3 °	4.6 °	4.8 °	5.5 °				
17 $\mu$ m	1.6 °	3.1 °	3.3 °	3.7 °	6.2 °	6.2 °	9.9 °	
12 $\mu$ m	1.1 °	2.2 °	2.3 °	2.6 °	4.4 °	4.4 °	7.0 °	8.8 °

### Optical

Focal Length	100mm
F/#	1.0
Wavelength	8-12 $\mu$ m
Focus Range	15m-Infinity

### Mechanical

Interface	Thread
Focus Mechanism	Manual
Dimensions (mm)	Ø110x 134.5
Weight	<845g

### Environmental

Operating Temperature	-40°C to +60°C
Storage Temperature	-45°C to +65°C
Front Element Sealing	IP67
External Coating	DLC