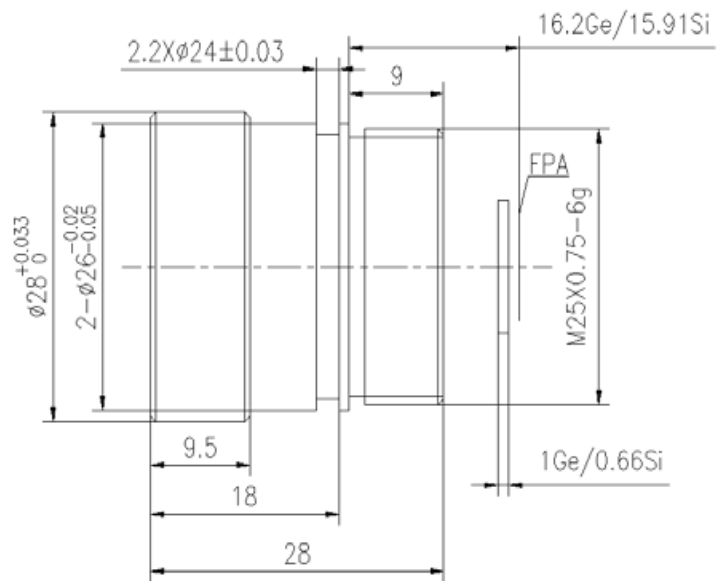


CH-L-19-1,0-A 19mm f/1.0 Athermalized Lens



HFOV	160x120	320x240	336x256	384x288	640x480	640x512	1024x768	1280x1024
20 μ m	9.6°	19.1°	20.1°	22.9°				
17 μ m	8.2°	16.3°	17.1°	19.5°				
12 μ m	5.8°	11.5°	12.1°	13.8°				

Optical

Focal Length	19mm
F/#	1.0
Average Transmission	\cong 85%
Wave length	8-12 μ m

Mechanical

Interface	Thread
Focus Mechanism	Fixed Athermalized
Dimensions (mm)	$\phi 28 \times 28$
Weight	< 38g

Environmental

Sealing	IP 67
Operating Temperature	-40°C to +80°C
Storage Temperature	-60°C to +85°C
External Coating	AR