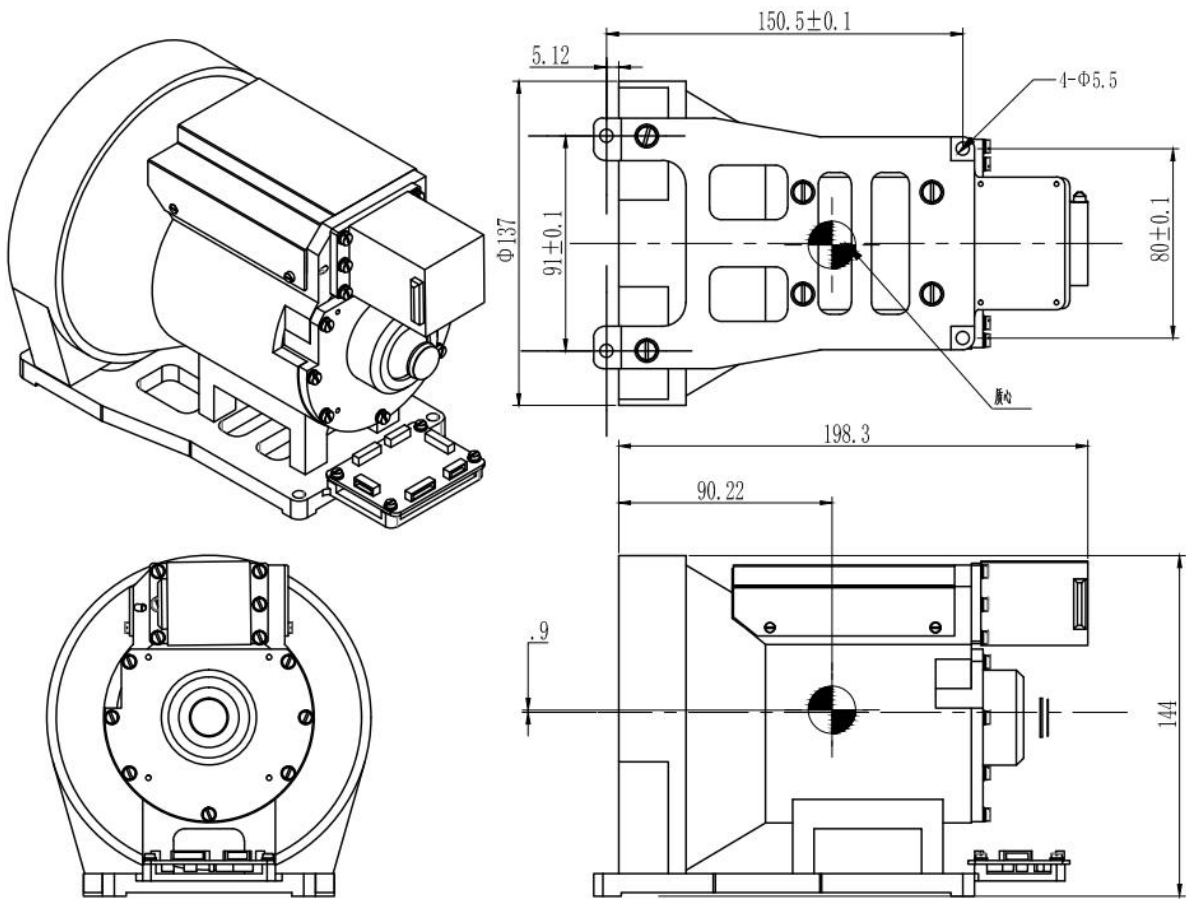


NB-L-40/145-1, 2-E



(Optical)	
(Focal length)	40/145mm
F/#	1.2
(work wavelength)	8~12μm
(Detector)	1280×1024/12μm
(FOV)	21.7°×17.5°/6.1°×4.9°
(Average Transmission)	≥90% (AR)
(Distortion)	-2.7%/0.35%
(Front Coating)	AR
(Mechanical)	
(Focus Mechanism)	20V (Motorized)
(Focus Range)	20m~∞
(FOV Mechanism)	20V (Motorized)

(FOV Switch Time)	≤1s
(Weight)	≤2500g
(Dimensions)	144mm×137mm×198.3mm
(Environmental)	
(Operating Temperature)	-40°C ~ +60°C
(Storage Temperature)	-45°C ~ +65°C
(seal)	IP54
(Shock of Optical orientation)	75G/11ms