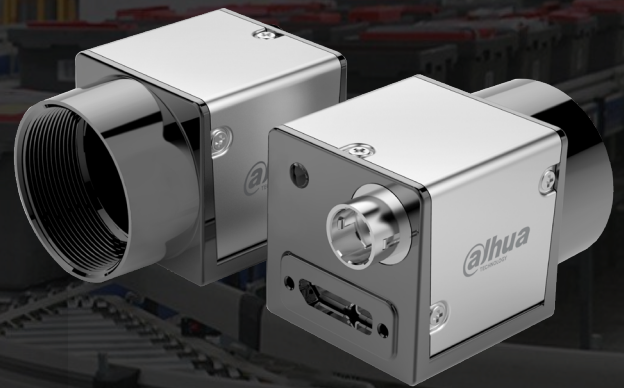


DH-MV-A3600M/CU60E

- 5Gbps bandwidth USB3.0 interface
- 128MB on-board frame buffer
- Support multiple image data formats
- Conform to CE, FCC, RoHS certifications
- Software trigger/Hardware trigger/Free run mode
- Conforms to USB 3.0 vision protocol and GenICam standard



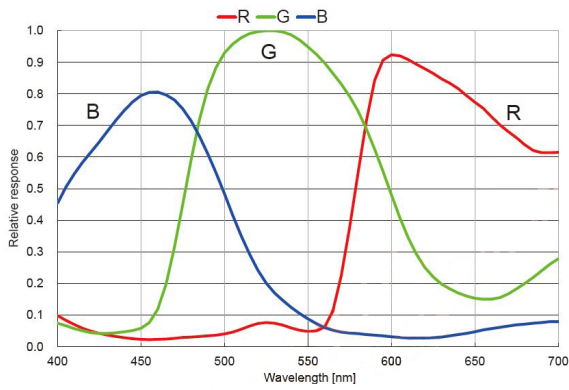
Specification

Model	Sensor	Sensor type	Shutter	Resolution	Frame rate (fps)	Bit depth	Interface	Mono/Color	Pixel size (μ m)	Sensor size
DH-MV-A3600MU60E	IMX178	CMOS	Rolling	3072x2048	60	10	USB3.0	Mono	2.4x2.4	1/1.8"
DH-MV-A3600CU60E	IMX178	CMOS	Rolling	3072x2048	60	10	USB3.0	Color	2.4x2.4	1/1.8"

Model	DH-MV-A3600MU60E	DH-MV-A3600CU60E
Effective Pixels	6.2MP	
SNR	>38dB	
Dynamic Range	66dB	
GPIO	6 pin Hirose: 1 Opto-isolated input, 1 Opto-isolated output, 1 configurable input/output without opto isolation	
Image Format	Mono8/10/10Packed	BayerRG8, BayerGB8
Binning	Support	
Gain	X1~X32	
Gamma	Range from 0 to 4, support LUT	
Exposure Time	8μs~1s	
Trigger Mode	Software trigger/Hardware trigger/Free run mode	
Image Buffer	64MB	
User Setting	Support two sets of user-defined configurations	
Dimensions	29mmx29mmx29mm(not including lens mount and rear case connector)	
Weight	68g	
Power Supply	Power supply via USB connector	
Power Consumption	12V≈2.4W	
Lens Mount	C	
Temperature	Storage temperature:-30° C~ + 80° C; Operation temperature:-30° C~+50° C	

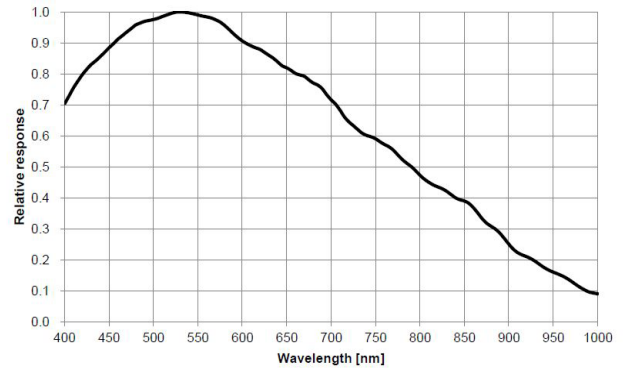
Spectrogram

A3600CU60E



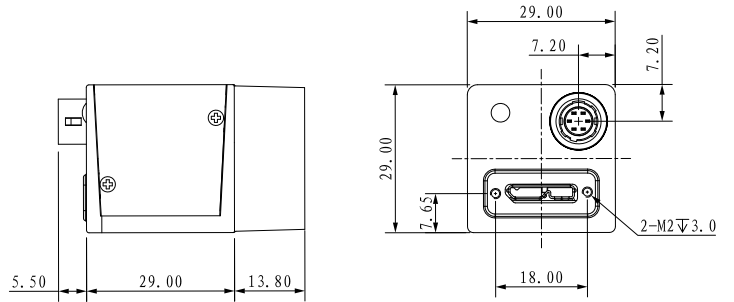
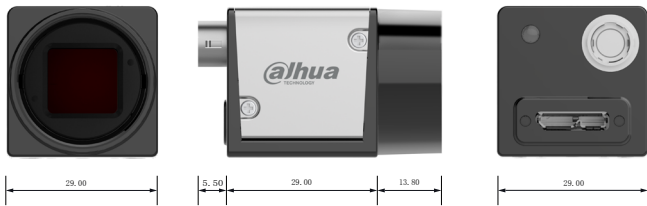
Quantum Efficiency Curve for Mono and Color

A3600MU60E

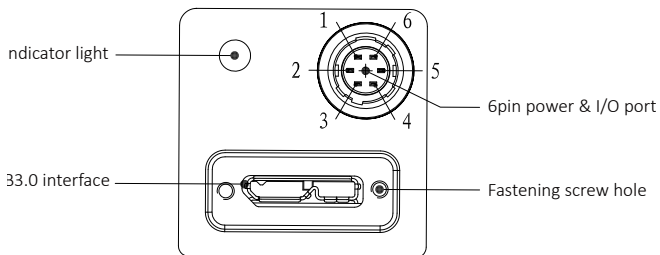


Quantum Efficiency Curve for Mono Sensor

Dimensions



IO Interface Instruction



Pin	Signal	Description
1	Power	DC 6V-24V input
2	Line1	Opto-isolated input
3	Line2	Configurable IO input/output
4	Line0	Opto-isolated output
5	IO GND	Opto-isolated ground
6	GND	Ground