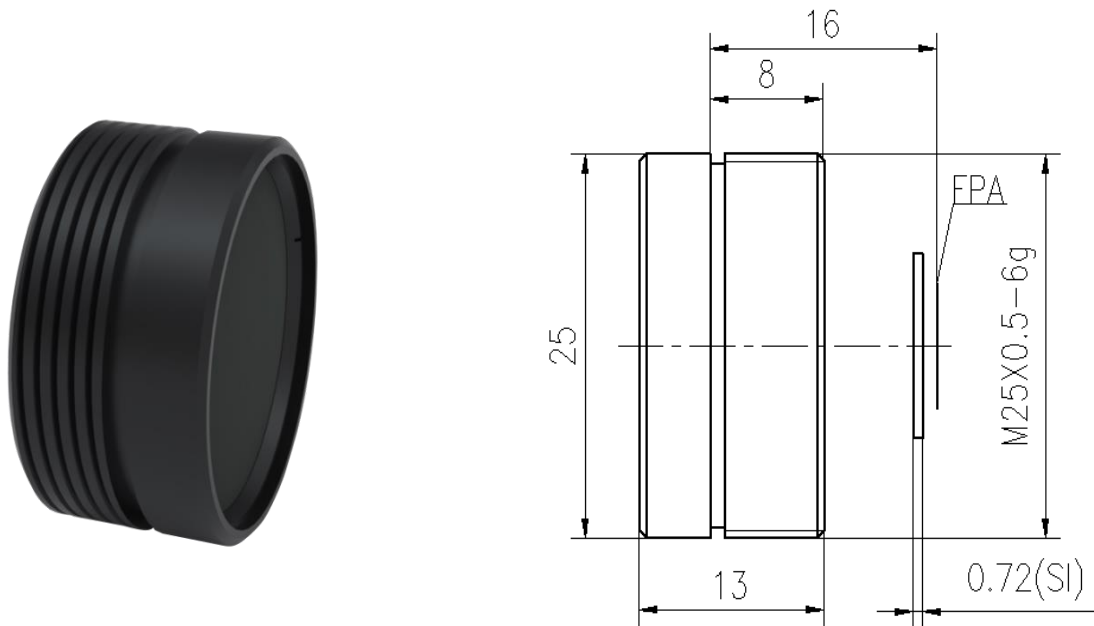


CH-L-7,5-1,2-A 7.5mm f/1.2 Athermalized Lens



| | | | | | | | | |
|------------|---------|---------|---------|---------|---------|---------|----------|-----------|
| HFOV | 160x120 | 320x240 | 336x256 | 384x288 | 640x480 | 640x512 | 1024x768 | 1280x1024 |
| 25 μ m | 29.9 ° | | | | | | | |
| 17 μ m | 20.6 ° | 39.9 ° | 41.7 ° | 47.0 ° | | | | |
| 12 μ m | 14.6 ° | 28.7 ° | 30.1 ° | 34.2 ° | | | | |

Optical

| | |
|--------------|-------|
| Focal Length | 7.5mm |
| F/# | 1.2 |
| Format | Ø8.2 |

Mechanical

| | |
|-----------------|--------------------|
| Interface | Thread |
| Focus Mechanism | Fixed Athermalized |
| Dimensions (mm) | Ø25x 13 |
| Weight | <16g |

Environmental

| | |
|-----------------------|----------------|
| Sealing | IP67 |
| Operating Temperature | -40°C to +80°C |
| External Coating | AR |