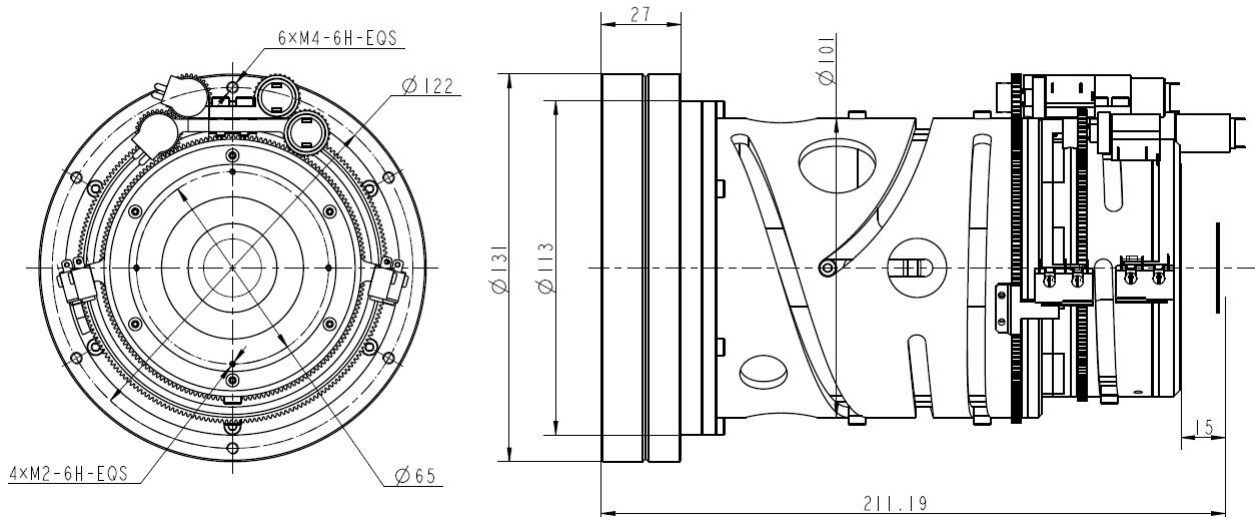


CH-L-30120-0,92-1,05-E 30-120mm f/0.92-1.05 Continuous Zoom Infrared Lens



HFOV	384x288	640x480	640x512	1024x768	1280x1024
35µm	6.4°-25.3°				
25µm	4.6°-18.2°				
17µm			5.2°-20.6°	8.3°-32.4°	10.4°-39.9°
12µm					7.3°-28.7°

Optical

Focal Length	30-120
F/#	0.92-1.05
Average Transmission	≥80%
Wavelength	8-12µm
Focus Range	10m-Infinity

Mechanical

Focus Mechanism	Motorized
Dimensions (mm)	Ø131x196.19
Weight	2.35kg

Electrical & Communications

Power Input	DC 6-12V
Communications	NA

Environmental

Operating Temperature	-40°C to +60°C
Storage Temperature	-40°C to +80°C
Front Element Sealing	IP67
External Coating	DLC