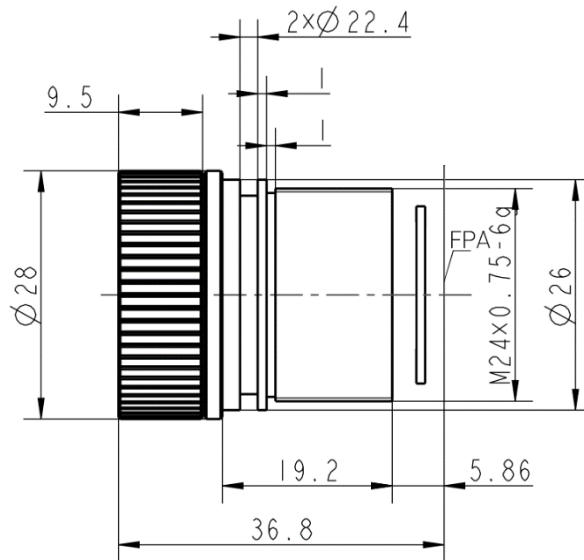


CZ-L-8,5-1,0-A 8.5mm f/1.0 Optical Athermalized Infrared Lens



HFOV	160x120	320x240	336x256	384x288	640x480	640x512	1024x768	1280x1024
25 μ m	26.5 °	50.4 °	52.6 °	58.9 °				
17 μ m	18.2 °	35.5 °	37.1 °	42.0 °	65.2 °	65.2 °		
12 μ m	12.9 °	25.5 °	26.7 °	30.3 °	48.6 °	48.6 °		

Optical

Focal Length	8.5mm
F/#	1.0
Detector	640x512, 17 μ m
Wave Length	8-14 μ m
Focus Range	0.5m-Infinity

Mechanical

Interface	Thread
Focus Mechanism	Fixed Athermalized
Dimensions (mm)	$\varnothing 28 \times 30.94$
Weight	40g

Environmental

Sealing	IP 67
Operating Temperature	-40°C to +80°C
External Coating	DLC