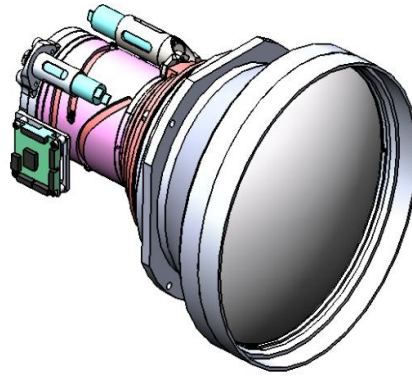


NA-M-60~660-4.0-E



HFOV 640×512
 15μ 9.15° (60mm) ~0.83° (660mm)

Property	Value
Optical	
Focal Length (mm)	60~660
F/#	4.0
Average Transmission(3.7~4.8μm)	85%(DLC) 87%(AR)
Detector	cooled
Distance between Cold diaphragm and detector focal plane (mm)	19.1~20.47
Cold diaphragm diameter(mm)	4.81~5.1
Back Focal Length (mm)	16.9
Mechanical	
Focus Mechanism	Motorized Continuous zooming (12V)
Focus Range	5m to infinity
Weight (gr)	3000
Max. Dimensions (Diameter×Length)	195×227.8mm
Environmental	
Operating Temperature (°C)	-40 to +70
Storage Temperature (°C)	-50 to +80
Sealing (Front lens only)	IP67
Configurations	
NUC	Support
Optical axis accuracy (Pixel)	≤ 4
Distortion (%)	≤ 3%
Zoom time (Sec)	≤ 5
Communication Protocol	RS422

