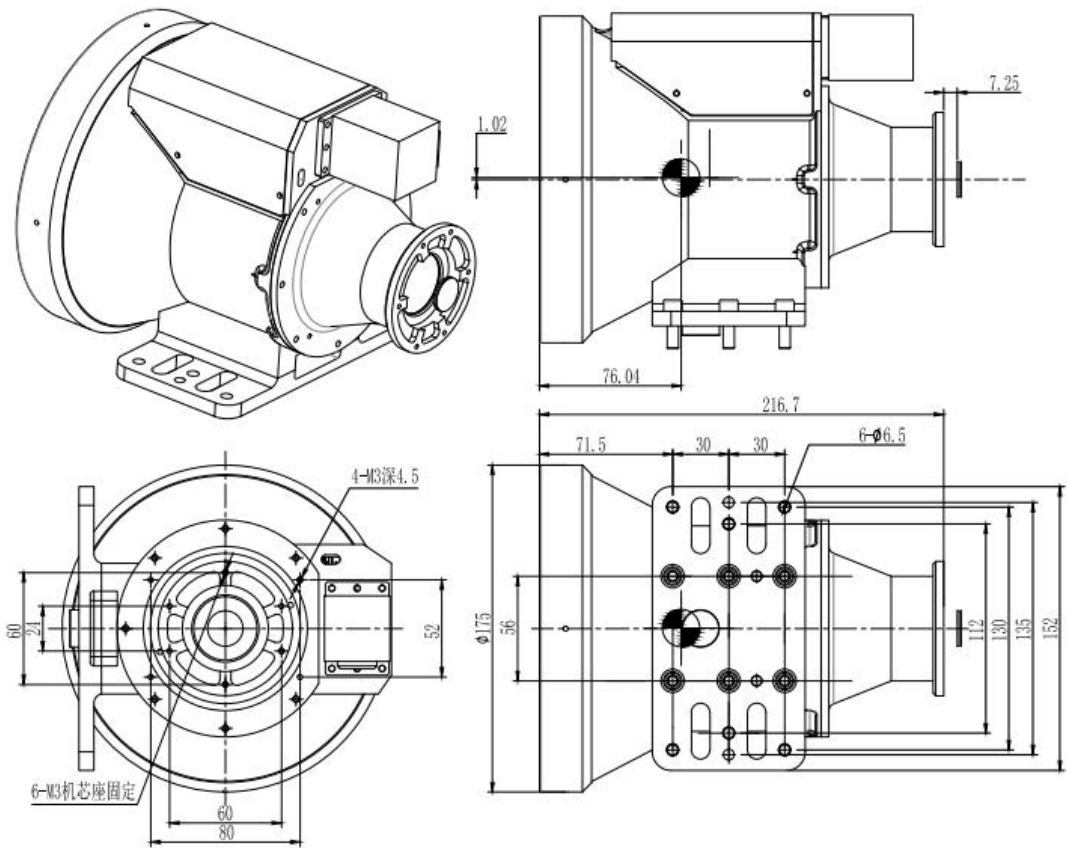


NB-L-60/180-1, 1-E



(Optical)	
(Focal length)	60/180mm
F/#	1.1
(work wavelength)	8~12μm
(Detector)	1280×1024/12μm
(FOV)	14.6°×11.7°/4.9°×3.9°
(Average Transmission)	≥88% (AR)
(Distortion)	< 1.5%
(Front Coating)	AR
(Mechanical)	
(Focus Mechanism)	24V (Motorized)
(Focus Range)	20m~∞
(FOV Mechanism)	24V (Motorized)
(FOV Switch Time)	≤1s

(Weight)	≤4500g
(Dimensions)	Φ175mm×216.7mm
(Environmental)	
(Operating Temperature)	-40°C ~ +60°C
(Storage Temperature)	-45°C ~ +65°C
(seal)	IP54
(Shock of Optical orientation)	75G/11ms