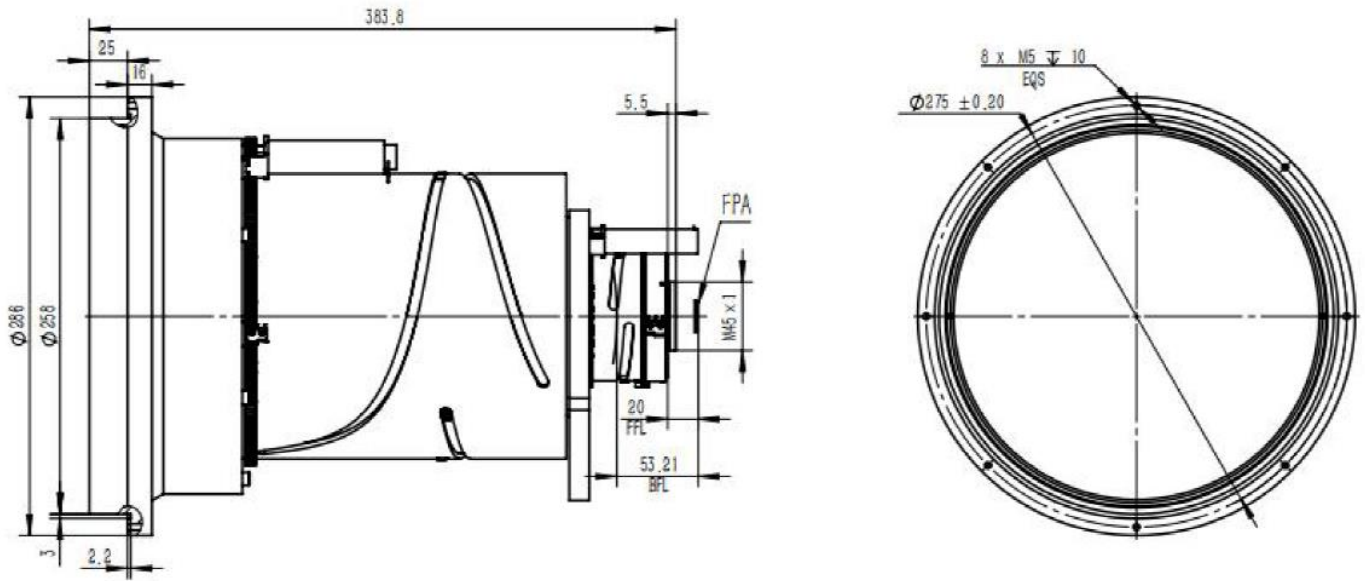


# CH1280-L-30300-1,35-E



HFOV	160x120	320x240	336x256	384x288	640x480	640x512	1024x768	1280x1024
25µm	0.8°-7.6°	1.5°-15.2°	1.6°-15.9°	1.8°-18.2°				
17µm	0.5°-5.2°	1°-10.4°	1.1°-10.9°	1.2°-12.4°	2.1°-20.6°	2.1°-20.6°	3.3°-32.4°	
12µm	0.4°-3.7°	0.7°-7.3°	0.8°-7.7°	0.9°-8.8°	1.5°-14.6°	1.5°-14.6°	2.3°-23.1°	2.9°-28.7°

## Optical

Focal Length(mm)	30-300
F/#	1.35
Average Transmission	>80%
Wavelength	8-12µm
Focus Range	3m-Infinity / 30m-Infinity

## Mechanical

Interface	Flange
Focus Mechanism	Motorized
Dimensions (mm)	Ø286x400
Weight	12Kg

## Electrical & Communications

Power Input	12VDC
-------------	-------

## Environmental

Operating Temperature	-40°C to +60°C
Storage Temperature	-50°C to +70°C
Front Element Sealing	IP67
External Coating	DLC